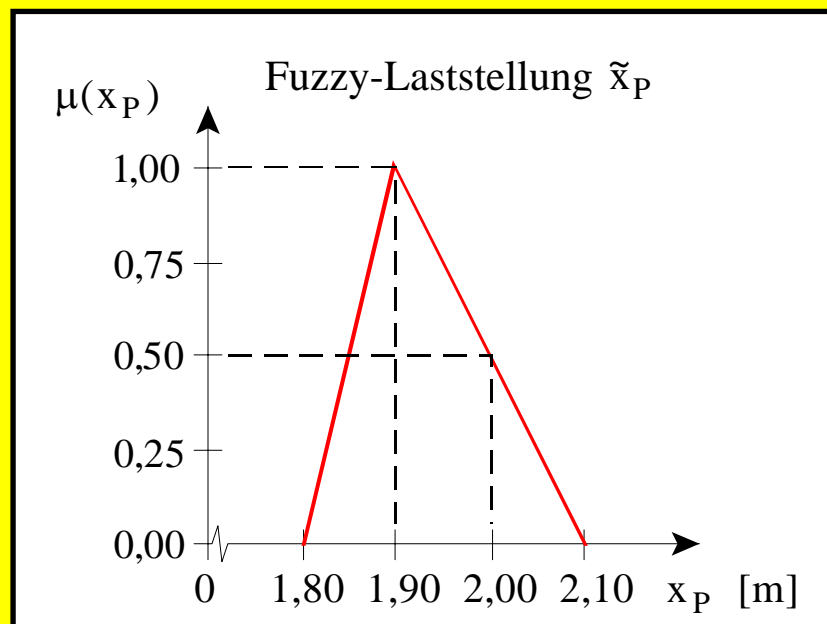
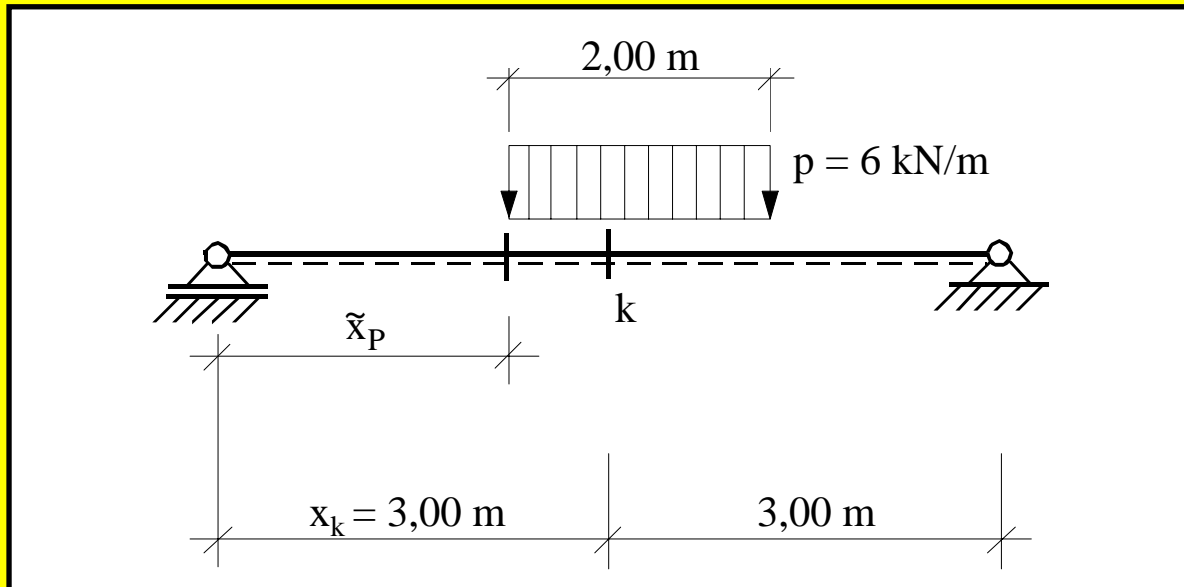


Nonmonotonic mapping model

-



Mapping model

$$z(x_P) = M_{xk}(x_P) = -3 \cdot x_P^2 + 12 \cdot x_P + 3 \text{ [kNm]}$$



Nonmonotonic mapping model -

